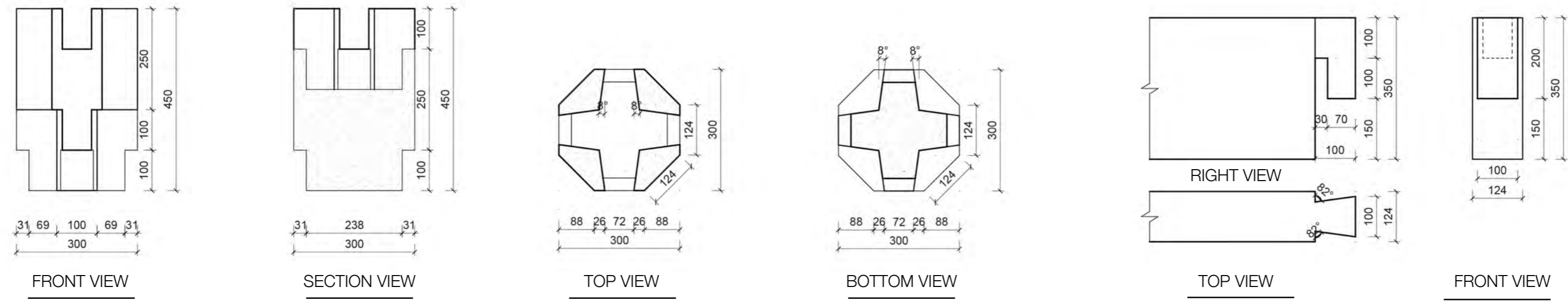
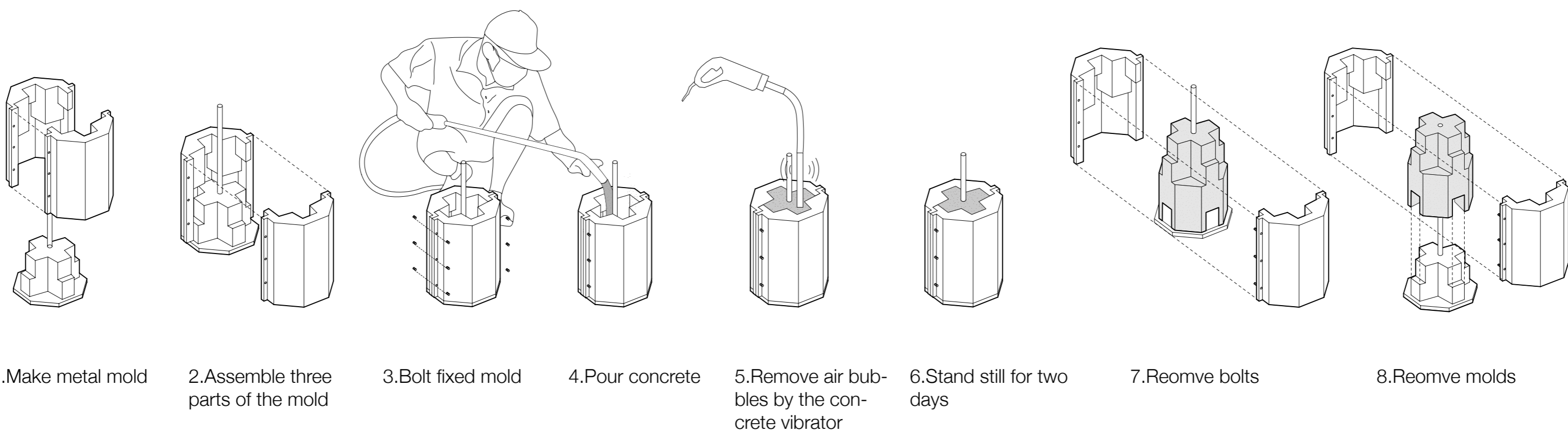


XG068



The proposed project idea is a modular column that will be prefabricated from concrete. The build-it-yourself aspect, the modularity and recyclability should be in the focus of this design. One of the inspirations for this projects are disaster shelters, that are build in a minimum of time with a minimum of effort in areas that have been hit by human caused or natural disasters. The column should facilitate the constructions of such structures while,

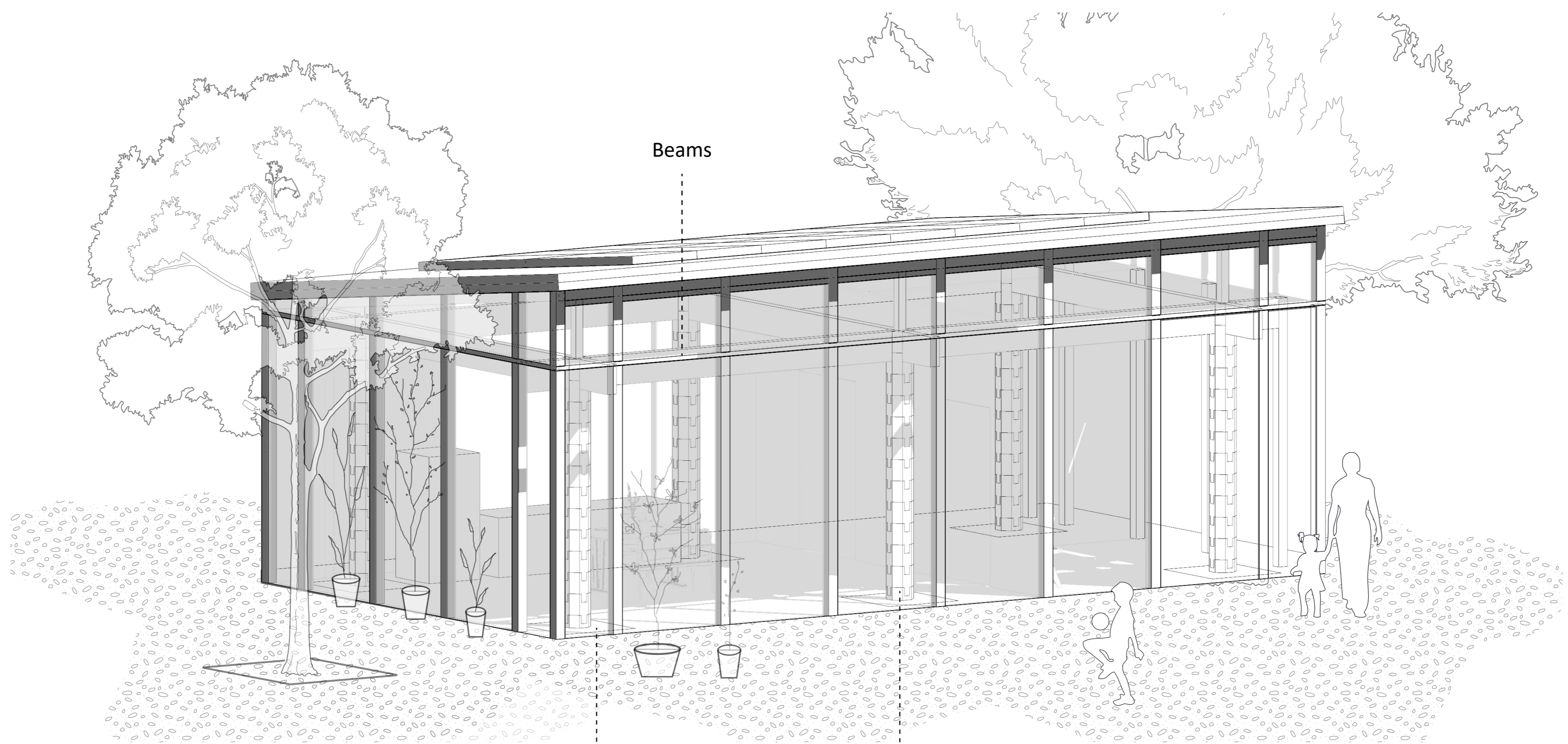
being easily mountable by everybody without special handy skills the modular components need to be manufactured from light materials. In addition, the column should be demountable and adjustable either in height. These properties make the column recyclable and reusable and within this context also eco-friendly. The column mainly serves the primary interior structure of a building, methods for a possible appliance within the outside wall will be further analysed.



MODU MN



XG068



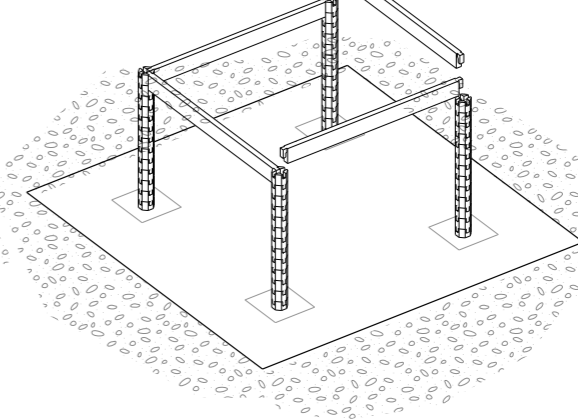
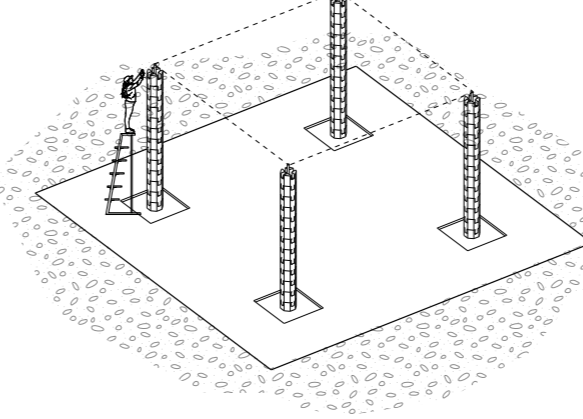
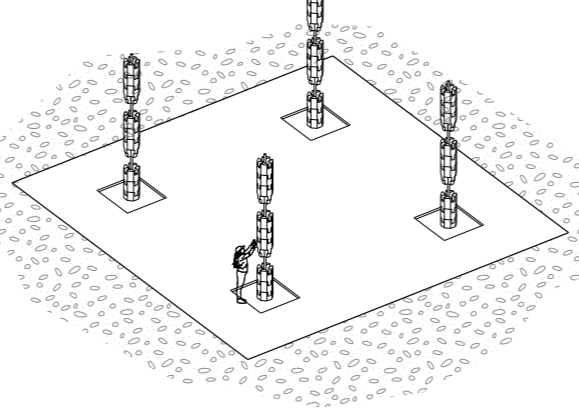
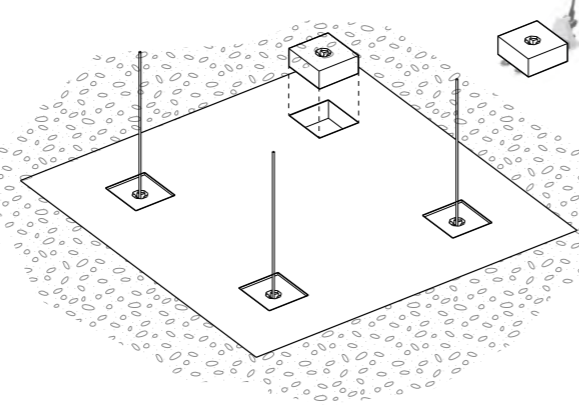
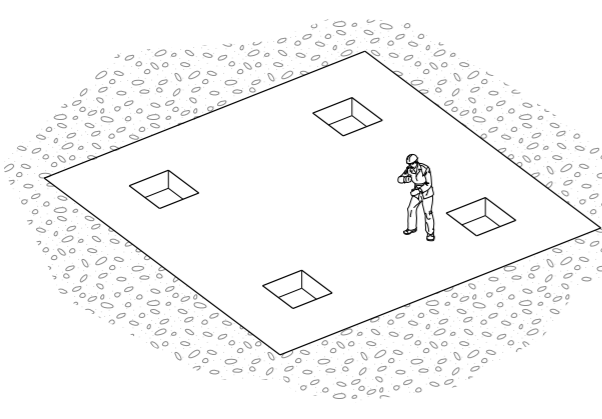
01. Excavating the site

02. Inserting modular foundations

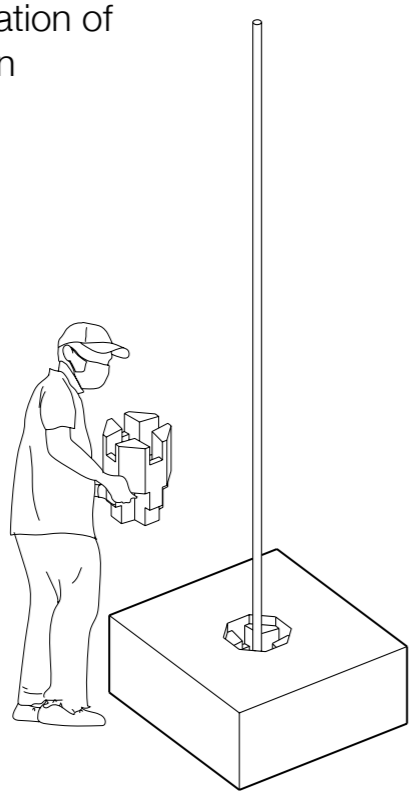
03. Stacking up MODUMNs

04. Leveling up the top layer

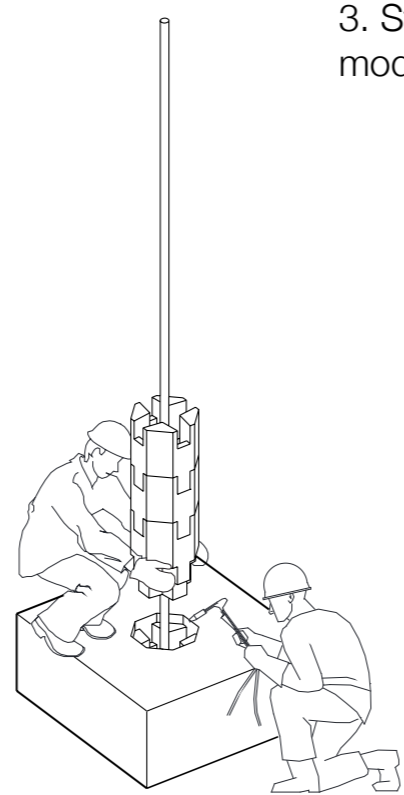
05. Inserting wooden beams



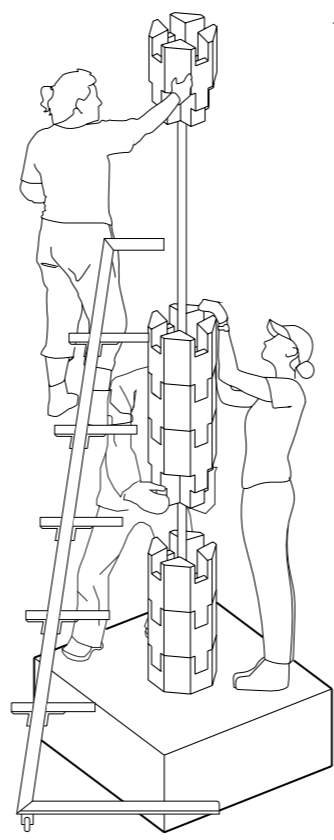
1. Preparation of foundation



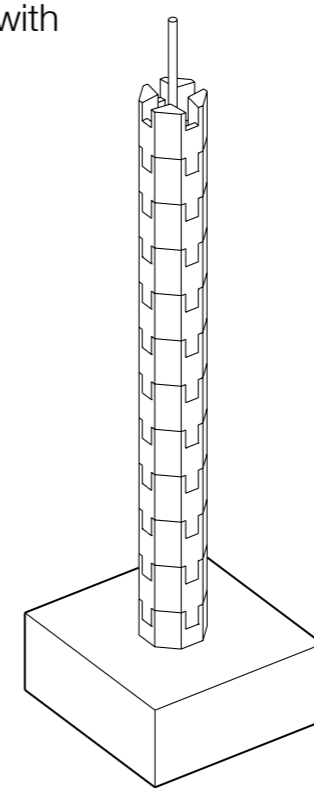
2. Place first modumn in foundation



3. Stack modumns



4. Post-stress with an anchor



5. Insert beam into module

