

CONCURVE¹

VO110

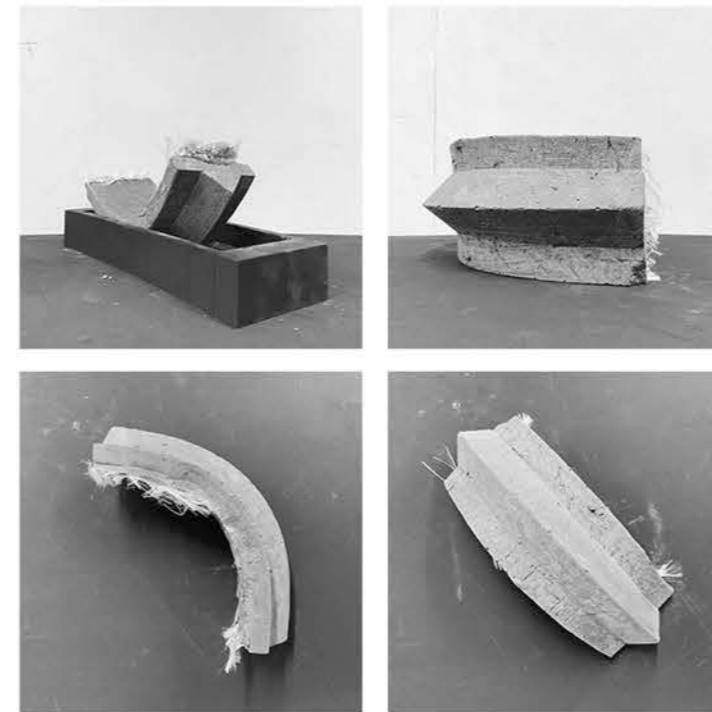
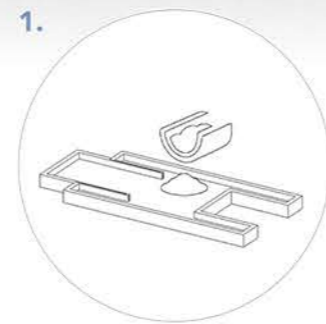
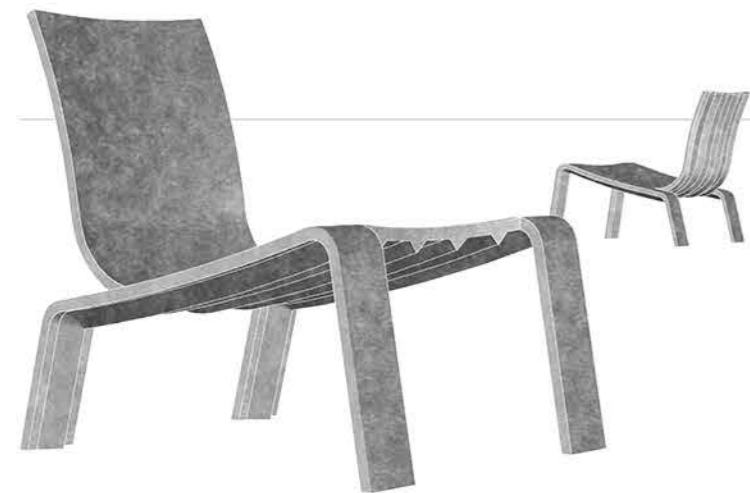
AN INNOVATION IN BENDING CONCRETE

CONCURVE²

VO110

AN INNOVATION IN BENDING CONCRETE

ConCurve is a 100% concrete easy chair that has an elegant appearance thanks to bending the concrete. By bending, we create a production process that is less complex and easier to implement than the common way to cast such furniture out of concrete.



In the creation of Concurve, we go against all conventional rules. We make use of a property of concrete, which is only present for a short time. The flexibility of concrete. By experimenting and timing we managed to use that short period of flexibility to obtain a complex form. A shape that can also be perfectly made today in a classic mold, but which costs much more time, effort and money.

By bending concrete you get a new kind of 'beton brut'. the silicone mold, which can have a perfectly smooth texture, suddenly creates visible traces and a very present tactility, precisely because it is folded.

The specific form of Concurve is obtained through the physical work with the molds.



1. Concrete is poured into a two-dimensional mold made of silicone. Fiber-rich concrete and a polypropylene net are used to maintain firmness. To reinforce the brittle points, the folds, we have provided triangular profiles in the length. These are also cast and folded into concrete.

2. During the drying process, the concrete achieves an ideal plasticity, at that point the concrete gets folded.

3. The silicone mold is draped over and attached to a second, three-dimensional mold using belts attached to the silicone. As a result, the concrete takes on the shape of the chair and continues to harden.

4. In the final phase, the chair is removed from the mold and further finished. Both the silicone and the wooden mold are ready to be reused.

5. The finished design is a 36kg chair for both inside and outside. Thanks to the provided hole, no rain remains in the seat, and with a custom-made cushion, this concrete easy chair can also be used indoors.